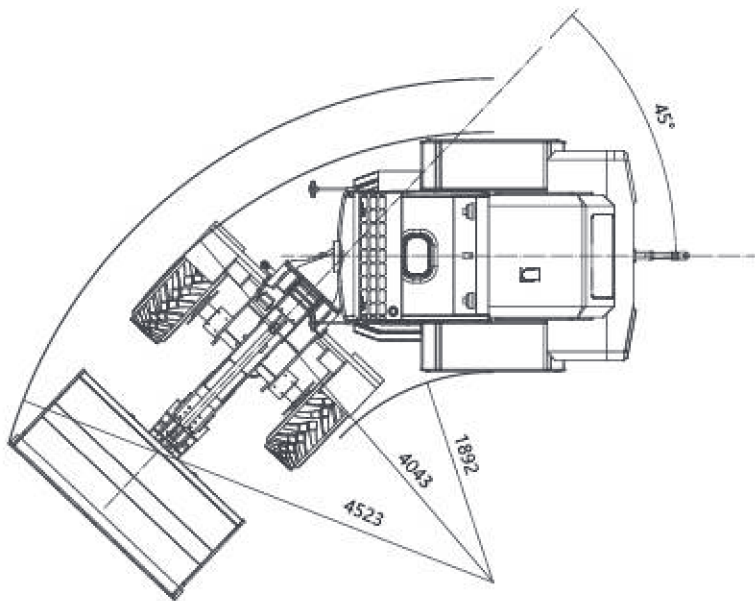
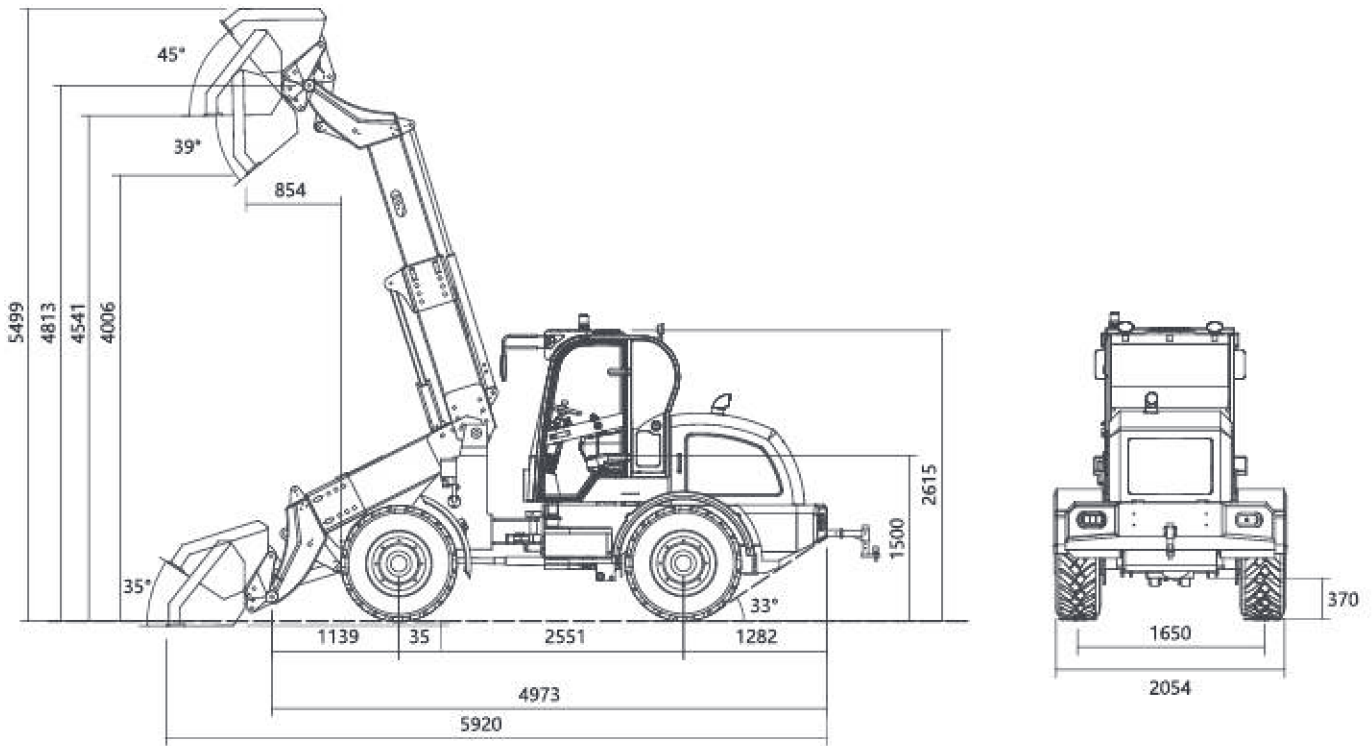


WHEEL LOADER WL825T



Specifications

Bucket Capacity(Cbm):	1.0-1.2
Rated Load(Kg):	2000
Overall Weight(Kg):	5700
Max.Dumping height(mm):	4006
Standard Engine:	CHANGCHAI 4G33
Rated Power(Kw):	70
Rated Speed(R/min):	2400
Optional Engine:	XIN CHAI/CUMMINS
Wheel Base(mm):	2551
Wheel Thread(mm):	1650
L×W×H (mm):	5900×2055×2615
Standard Tire:	16/70-20
Max.Driving Speed(km/h):	20-30



DESCRIPTION

High level of reliability

Through easily accessible maintenance points and timetested and proven components.

Reduced operating costs

Through optimum power to weight ratio and compact dimensions.

