

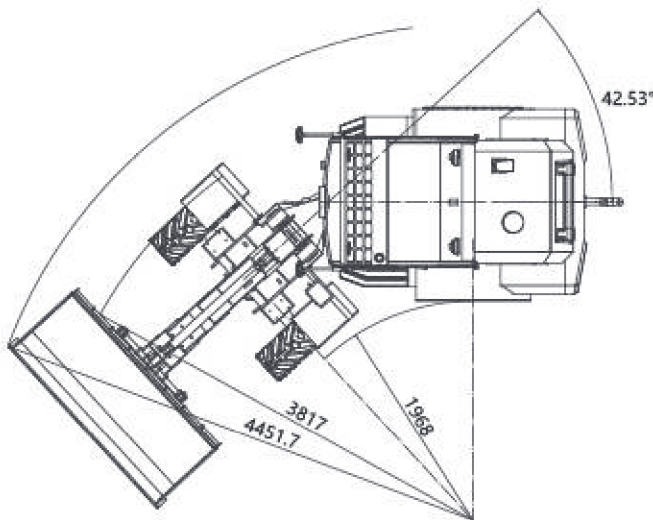
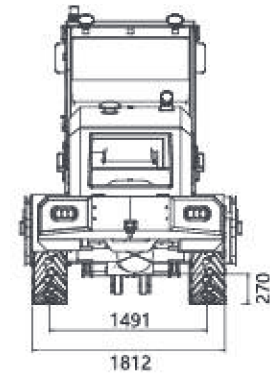
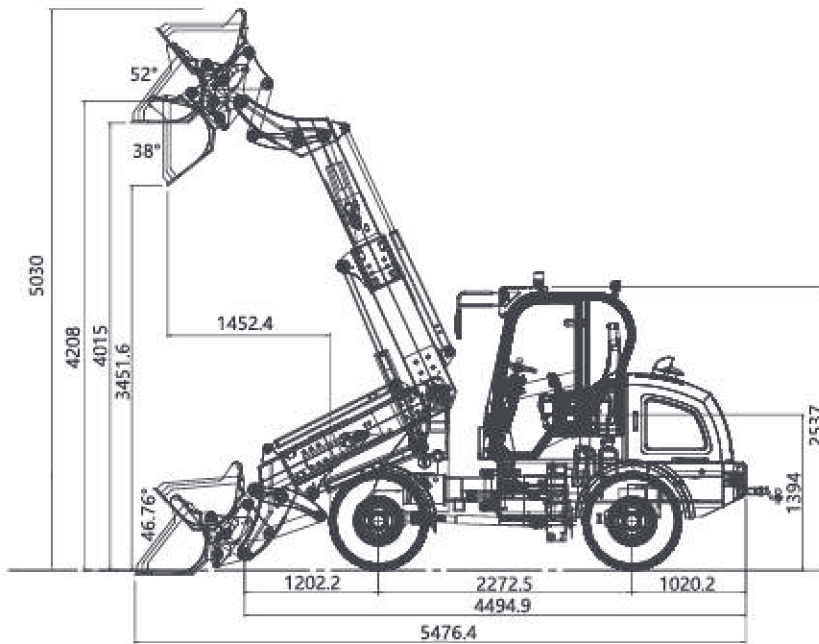
# WHEEL LOADER

## WL816T



### Specifications

Bucket Capacity (Cbm):	0.8-0.9
Rated Load (Kg):	1600
Max .Load (Kg):	1700
Overall Weight (Kg):	3900
Max.Dumping height (mm):	3451
Standard Engine:	XIN CHAI A498BT1 E3
Rated Power (Kw):	36.8
Rated Speed (R/min):	2650
Optional Engine:	XIN CHAI/YUN NEI/CHANG CHAI/KOHLER
Wheel Base (mm):	2272.5
Wheel Thread (mm):	1491
L×W×H (mm):	5480×1820×2540
Standard tire:	20.5/70-16
Option Tire:	33×15.5-16.5
Max .Driving Speed (km/h):	18-28



## DESCRIPTION

**More reach and lift height**  
Due to a telescoping loading system

**Fatigue-free working**  
Thanks to the spacious and ergonomic comfort cab

